

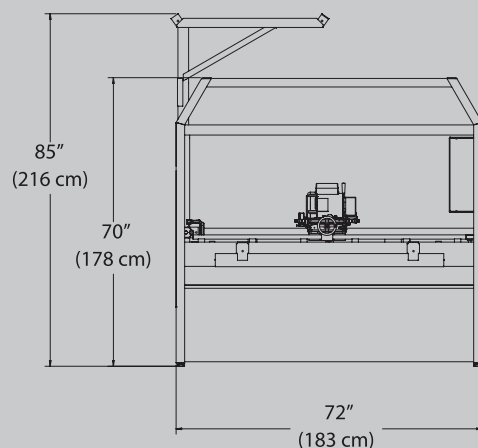
# 605 ACCU-SHARP SPIN / RELIEF REEL GRINDER

# 605 ACCU-SHARP SPIN / RELIEF REEL GRINDER

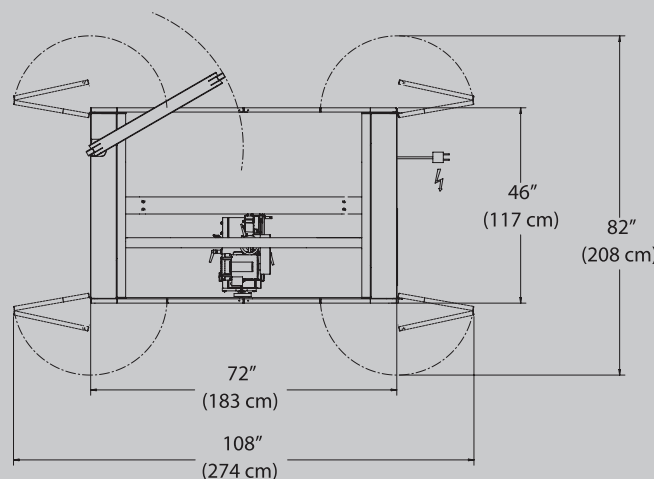
## SPECIFICATIONS:

Part #	6050901
Power	115v, 50/60 cycle, Single phase, 15 amp
Weight	1,350 lbs (612 kg)
Grinding Wheel	Spin 6" x 1" (152 mm x 19 mm) Relief 6" x 3/8" (127 mm x 10 mm)
Carriage Base	1 HP AC grinding motor 3450 RPM; Cogged traverse belt with 44" travel capacity Two 1.000 +/- .00025 ground/polished steel shafts; 90 Volt DC traverse motor

## DIMENSIONS:



FRONT VIEW



TOP VIEW

## STANDARD FEATURES:

- Manual rear load hoist - 400 lbs (180 kg) capacity
- Patented Auto-Index relief mechanism
- Complete surround guarding with electrically interlocked front and rear bi-fold doors
- Dial Indicator alignment gauge for accurate set-up
- Variable SPIN Speed, TRAVERSE Speed, RELIEF Torque
- Walking Greensmower Bracket
- Overhead adjustable reel clamping mechanisms
- Spin drive coupler with 8, 9, and 11 tooth spline adapters
- Dust collector trough

## OPTIONAL EQUIPMENT:

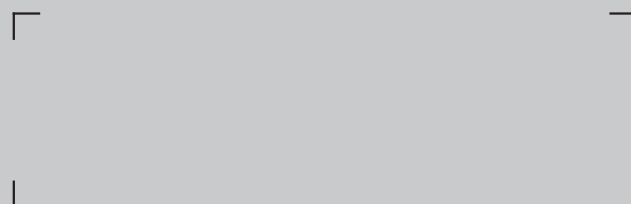
- 220v to 110v Step-down Transformer
- Bedknife Grinding Kit
- Electric Hoist
- Set-up Gauge Extension Rod
- Ground drive mounting adapters

Because Foley United is continually improving its products, specifications are subject to change without notice.



A Division of Foley-Belsaw  
River Falls, Wisconsin 54022  
[www.foleyunited.com](http://www.foleyunited.com)

Distributed By:



THE HIGHEST QUALITY GRIND IN THE WORLD JUST GOT EASIER!

THE HIGHEST QUALITY GRIND IN THE WORLD JUST GOT EASIER!

# PROVEN RELIABLE.

## ACCU-SHARP SPIN / RELIEF REEL GRINDER



*Foley United, the world leader in Reel Grinding Equipment since 1934, brings you the most economical solution for all your spin and relief grinding needs—the ACCU-Sharp 605.*

### ACCU-Sharp 605 Offers:

Designed for optimum operator safety and ease of use, this machine is the best combination of features and economy.

**Patented Auto-Index Relief** easy to set-up, simple to operate and is capable of reproducing OEM specifications. Auto-Index feature is standard on all Accu-Series Reel Grinders.

**Hands-Free Relief** gives Superintendents and Technicians more options. With a minor transition from the spin to relief process, the Auto-Index relief system allows the operator to perform other tasks while the machine does the work.

**Dial Indicator Alignment System** provides accuracy and brings your reels back to a “like-new” cylindrical shape.

**More Maintenance Options** ACCU-Sharp 605 is capable of meeting all recommended grinding specifications and works well in a “Spin grind only” maintenance program.



**ADJUSTABLE REEL CLAMPING MECHANISMS**  
feature two overhead arm v-clamps that secure the front roller. After grinding the first reel, you leave the clamps in place making the transition to the next reel fast and repeatability of set-up easy.



**ACCESSIBLE CONTROL PANEL**  
with independent switches for grinding motor, carriage traverse with variable speed control, spin drive with variable speed control, spin/relief selector, variable torque for the auto-index relief process, and a safety stop button.



**COMPLETE SAFETY GUARDING ENCLOSURE**  
assures the utmost in safety yet provides ease of use for set-up and operations.

**THE REAR DOOR FEATURES DETACHABLE PANELS**  
to accommodate walking greens mowers while maintaining the integrity of the safety enclosure.

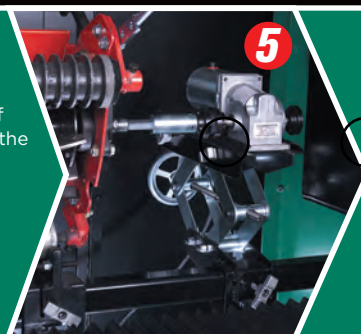
LEARN MORE: [www.foleyunited.com](http://www.foleyunited.com)



**3 SINGLE POINT IN-FEED & A PATENTED AUTO-INDEX RELIEF SYSTEM**  
allows for exact positioning of the grinding wheel and calibrated metal removal. The detachable Auto-Index relief finger assembly makes the transition from spin to relief easy and efficient.



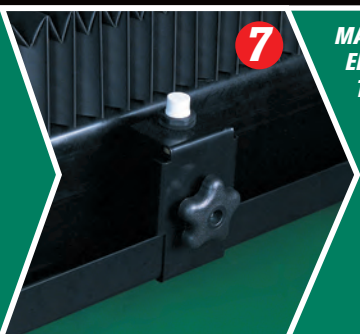
**4 POSITIVE, VERTICAL AND HORIZONTAL REEL ADJUSTMENTS**  
allows for easy alignment of the reel in the machine so the carriage travels perfectly parallel to reel.



**5 INDEPENDENTLY CONTROLLED, REVERSIBLE VARIABLE SPIN DRIVE**  
provides optimum grinding performance, while the adjustable scissor jack allows for easy positioning of the quick disconnect spin drive coupler.



**6 DIAL INDICATOR SET-UP GAUGE**  
aligns reels within accuracy of .001", establishing the cylindrical quality of the reel before grinding.



**7 MAINTENANCE FREE ELECTRO-MAGNETIC TRAVEL LIMITS**  
are easily adjustable to control the travel length of the grinding carriage.