

COBRA

MODEL: GCT300

GARDEN CART TROLLEY OWNERS MANUAL



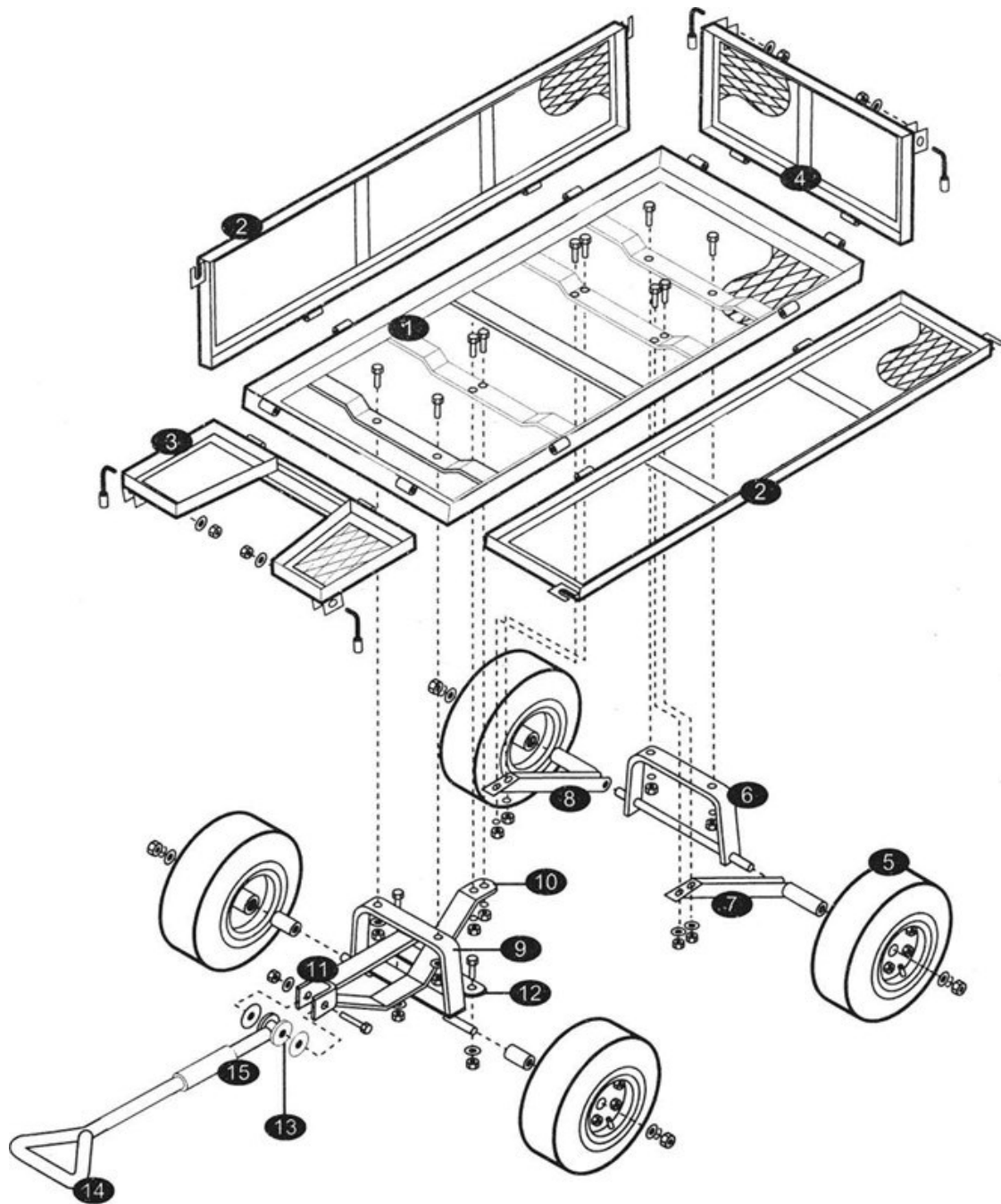
⚠ CAUTION:

Before using this product, please read this manual carefully to understand the proper use of your garden cart. Please keep this manual for future reference.

PLEASE NOTE: NEVER CARRY PASSENGERS IN THE GARDEN CART TROLLEY

Product colours may vary.

EXPLODED DRAWING FOR ASSEMBLY



PARTS AND HARDWARE IDENTIFICATION

MAIN FRAME PARTS

1. Bed - (1)
2. sides - (2)
3. Front - (1)
4. Back - (1)
5. 10" x 3.5 Wheels - (4)

REAR SUPPORT ASSEMBLY

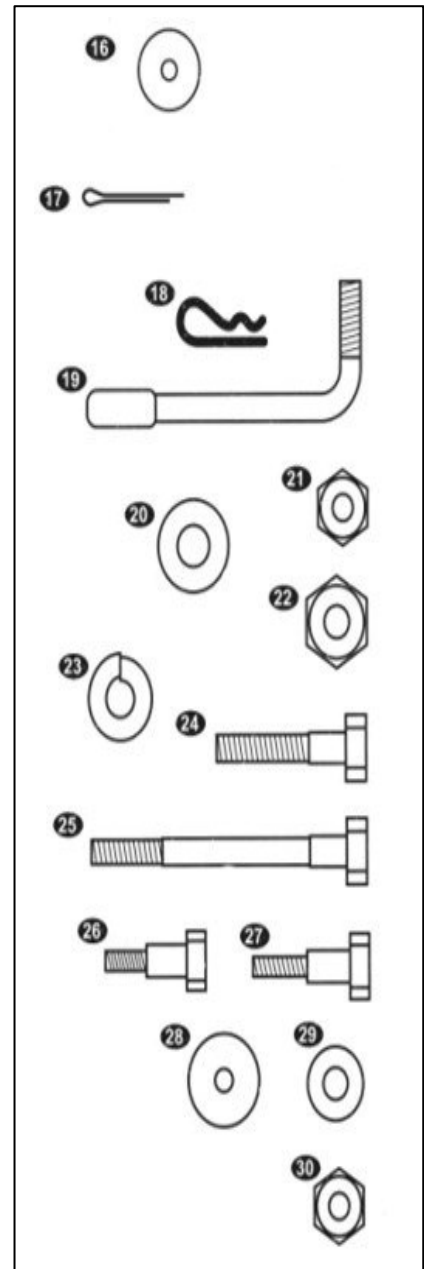
6. Rear Axle Support - (1)
7. Left Rear Axle Brace - (1)
8. Right Rear Axle Brace - (1)

FRONT SUPPORT ASSEMBLY

9. Front Axle Support - (1)
10. Center Front Axle Brace - (1)
11. Yoke - (1)
12. Steering Link Connector - (1)
13. Plastic Coupling - (1)
14. Pull Handle - (1)
15. Tractor Pull Handle - (1)

ASSEMBLY HARDWARE

16. Washer 10mm- (1)
17. Cotter Pin - (1)
18. Clevis Pin - (1)
19. Lock Handles 8mm (4) use with #20 & #21
20. Washer 8mm - (15)
21. Nuts w/Lock Inserts 8mm - (15)
22. Wheel Nuts 12mm- (4)
23. Wheel Lock Washers 12mm - (4)
24. Carriage Support Bolts 8 x 20mm - (10) use with #21
25. Pull Handle Bolt 8 x 60mm - (1) use with #20 & # 21
26. Short Steering Assembly Shoulder Bolt 8x15mm - (3) use with # 29 & # 30
27. Long Steering Assembly Shoulder Bolt 8 x 17mm - (1) use with # 29 & # 30
28. Washer 12mm - (4)
29. Washers 6mm - (4)
30. Nuts w/Lock Inserts 6mm - (4)



IMPORTANTANT SAFETY INSTRUCTIONS



READ ALL INSTRUCTIONS CAREFULLY BEFORE USE.

1. Do not allow children to use the Garden Cart Trolley unsupervised. It is NOT a toy.
2. Always distribute payload evenly over the surface of the bed.
3. Do not lay any items on top of the fence. Lower the fence side panels before loading objects into the Garden Cart Trolley.
4. Do not load the Garden Cart Trolley with more than 300kgs.
5. If any parts become damaged, broken or misplaced do not use the Garden Cart Trolley until replacement parts can be obtained and fitted.
6. Do not operate or use on objects than can cause damage to the pneumatic tires or tubes.
7. Do not inflate tires to more than 30 psi.
8. SAVE THESE INSTRUCTIONS.

ASSEMBLY INSTRUCTIONS

Your Garden Cart Trolley requires assembly. Account for all parts and hardware before beginning assembly. If any parts are missing, damaged or if you have questions or need additional instructions please call your retailer.

Tools required for assembly:

Medium size slot screwdriver 6, 8 and a 12mm open end wrench and/or two medium adjustable wrenches. For easier assembly we recommend two people assemble this product. Use the cardboard from the carton to keep from scratching or damaging the finish

Refer to the exploded drawing and the parts list on the following pages during assembly.

STEP 1 Turn the Garden Cart Trolley bed (1) upside down so that the underside is facing up.

STEP 2 Assemble the Rear Support Assembly to the bed (1) using 6 Carriage Support Bolts, 6, (8mm) washers and 6, (8mm) Nuts. Attach the Rear Axle Support to the back of the bed and then attach the left and right Support Axle Braces. Tighten all securely.

STEP 3 There are four shoulder bolts three short and one long. Be sure to use the long shoulder bolt (8 X 17mm) in the front centre location of the steering mechanism. Assemble the Front Support Assembly completely before attaching the completed assembly to the Bed.

- A. Attach the Steering Link Connector to the two axle guides using 2, (8x15mm) steering Assembly shoulder Bolts (short, 6mm) Washers and (6mm Nuts). **NOTE: Place the Steering Link Connector on top of the axle guides.**
- B. Place the Yoke into position on the Front Axle Support and secure to the Steering Link Connector using 1,(8 x15mm) Steering Assembly Shoulder Bolts (short), (6mm Washer) and (6mm Nut).
- C. Attach the Centre Front Axle brace to the Assembly as shown. Use 1, (8x17mm) Steering Assembly Shoulder Bolt (long), (6mm) Washer and (6mm) Nut.
- D. Assembly the completed Front Support Assemble to the Bed using 4,Carriage Support Bolts, (8mm) Nuts and Washers.

STEP 4 Install the Wheels in the following order.

- A. Place the Wheel onto the axle with the valve stem facing out.
- B. Use the (12mm) washer and spring washer and then the (12mm) Nut to secure the wheel. Tighten Securely.

STEP 5 Turn the Garden Cart Trolley upright onto its wheels. Attach the Tractor Pull Handle Yoke Washers and the Plastic coupling using the (8 x60mm) pull handle bolt, (8mm) washer and nut.

STEP 6 Attach the Lock Handles onto the fence using (8mm) washers and nuts.

NOTE: Do not fully tighten the nuts. These are to be adjusted after finishing the fence assembly.

STEP 7 Attach the front back, left and right Fences using the Pins.

NOTE: Latch the fence in the upright position using the Lock Handles. Tighten the nuts on the Lock Handles to allow for smooth operation without being overly tight.

Store cart covered or indoors to prevent corrosion.